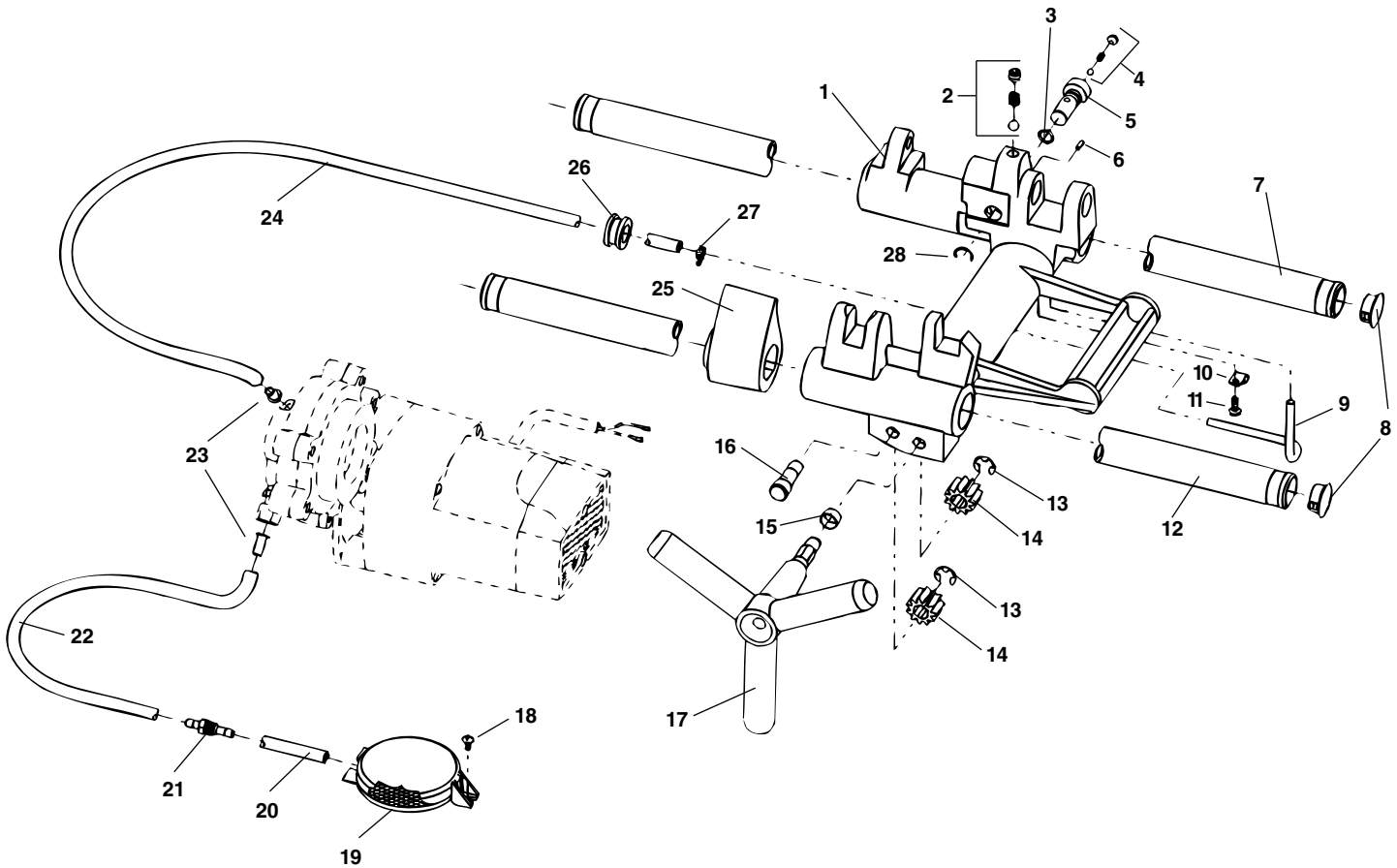


Carriage and Oil System



**NOTE: Order parts by Catalog Number only.
DO NOT order by Reference Number.**

Ref. No.	Catalog No.	Description	Ref. No.	Catalog No.	Description
1	58407	Carriage (Includes Ref. #2)	16	58457	Idler Shaft
2	46810	Die Head Detente		58427	Plastic Plug (Not Shown)
3	54102	O-Ring	17	58462	Handwheel
4	35307	Oil Pressure Relief	18	45420	Screw
5	54097	Bypass Valve	19	58467	Filter Screen Assembly
6	58417	Roll Pin	20	61897	Oil Tube
7	58422	Rear Rail	21	54142	Bulkhead Fitting
8	58257	Plug (2)	22	58477	Intake Oil Line - 11"
9	58432	Oil Line	23	35117	Tube Insert
10	35062	Clamp	24	58482	Output Oil Line - 25"
11	79965	Screw 10-32 x 1/2"	25	58487	Carriage Stop
12	58437	Front Rail	26	47080	Grommet
13	58442	Retaining Ring	27	35142	Hose Clamp
14	58447	Carriage Pinion Gear	28	54107	Retaining Ring
15	58452	Bushing			